



RFQ / Special Order Form – Step Sleeves

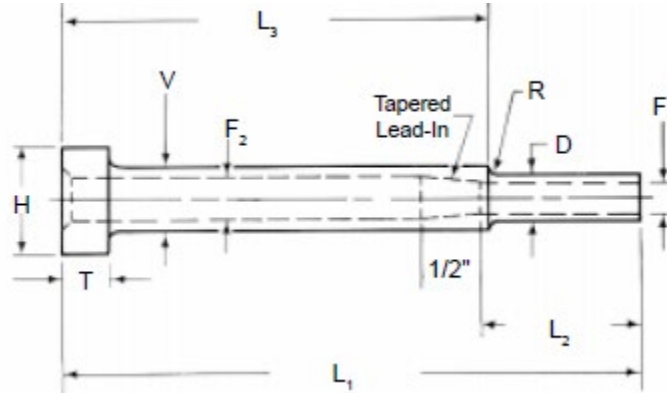
Name _____

Company Name _____

Ship To Address _____

Phone Number(s) _____

Email Address _____



F1 - _____ D - _____ F2 - _____ V - _____ H - _____

Inside Diameter Outside Diameter Clearance ID Shoulder Diameter Head Diameter

L1 - _____ L2 - _____ L3 - _____ T - _____ R - _____

Overall Length Bearing Length Shoulder Length Head Thickness Radius

Material – (specify hardness / surface treatment) _____

Quantity - _____

Comments:

Empty rectangular box for comments.

***industry standards & tolerances will apply unless otherwise noted